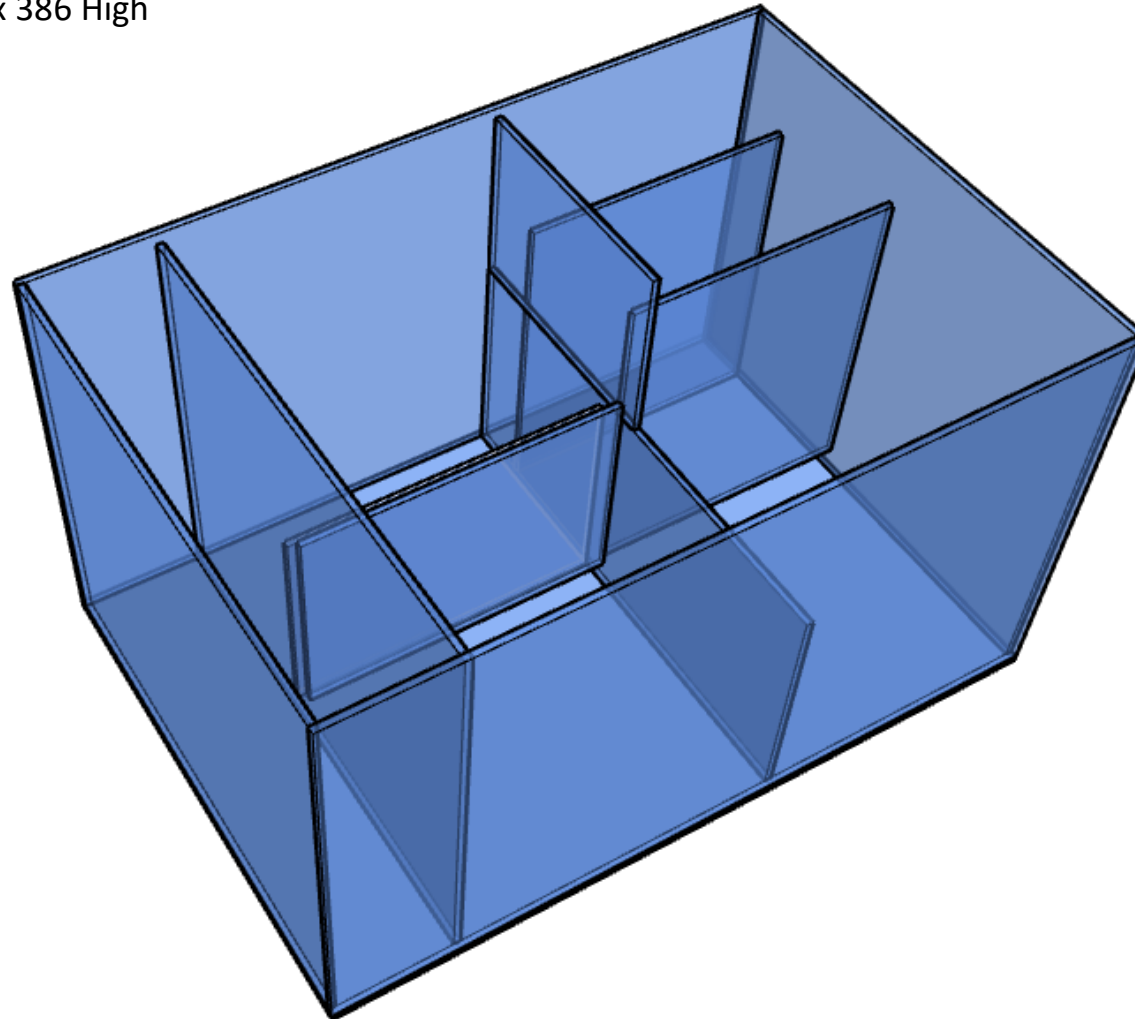


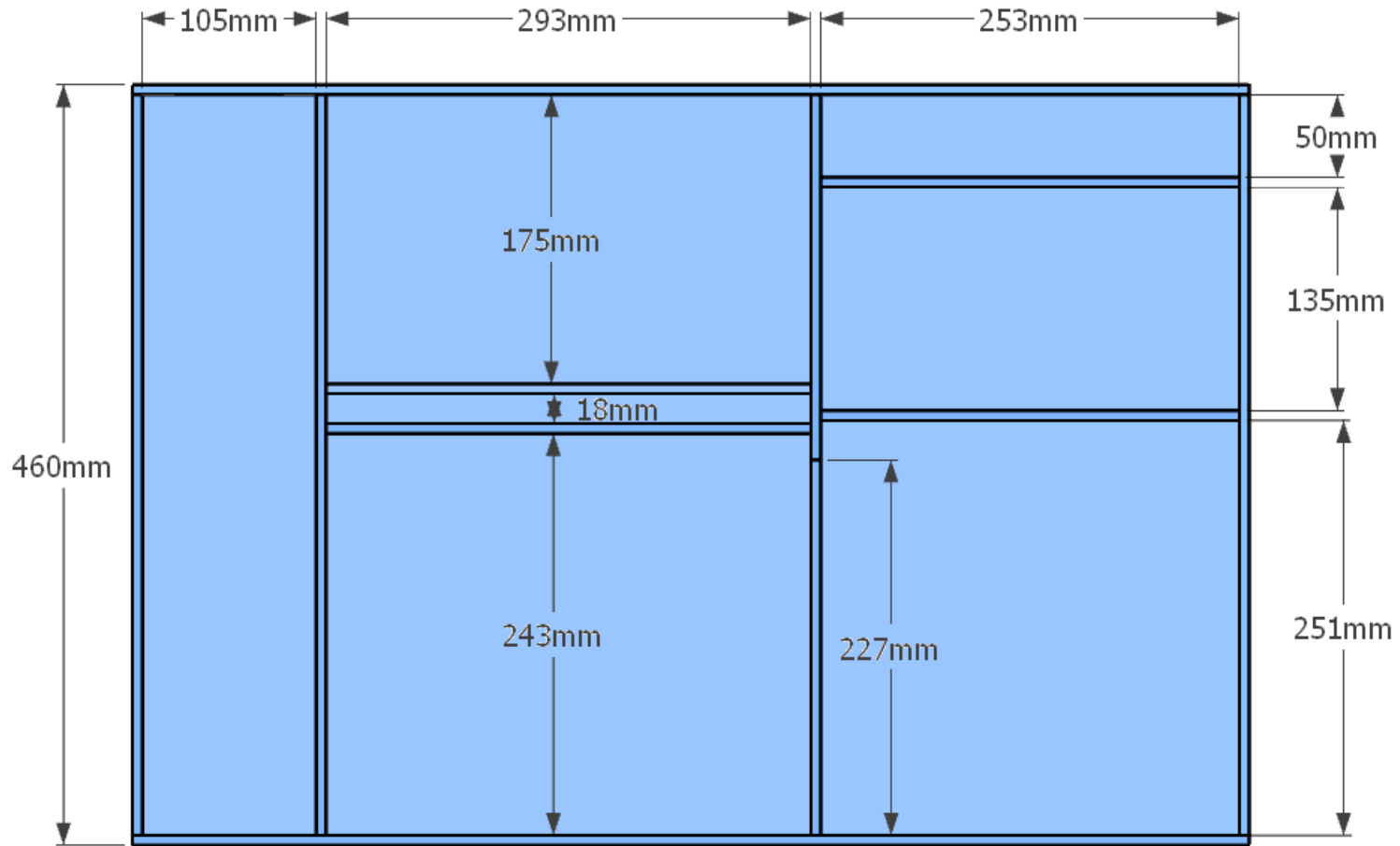


REEF-PRO 900 & 1200 Standard Sump

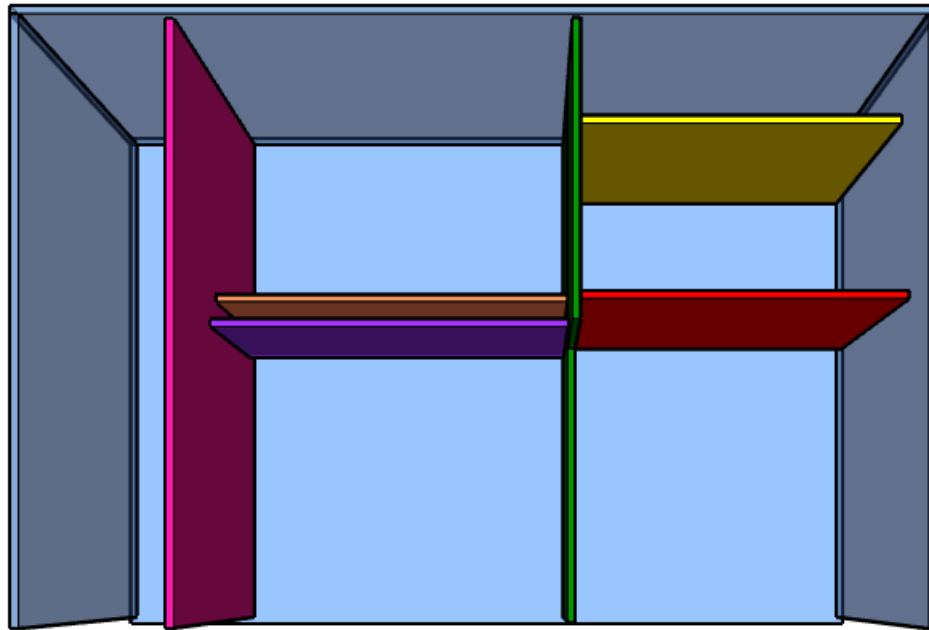
675 Long x 460 Wide x 386 High









TOP VIEW



PANEL HEIGHTS

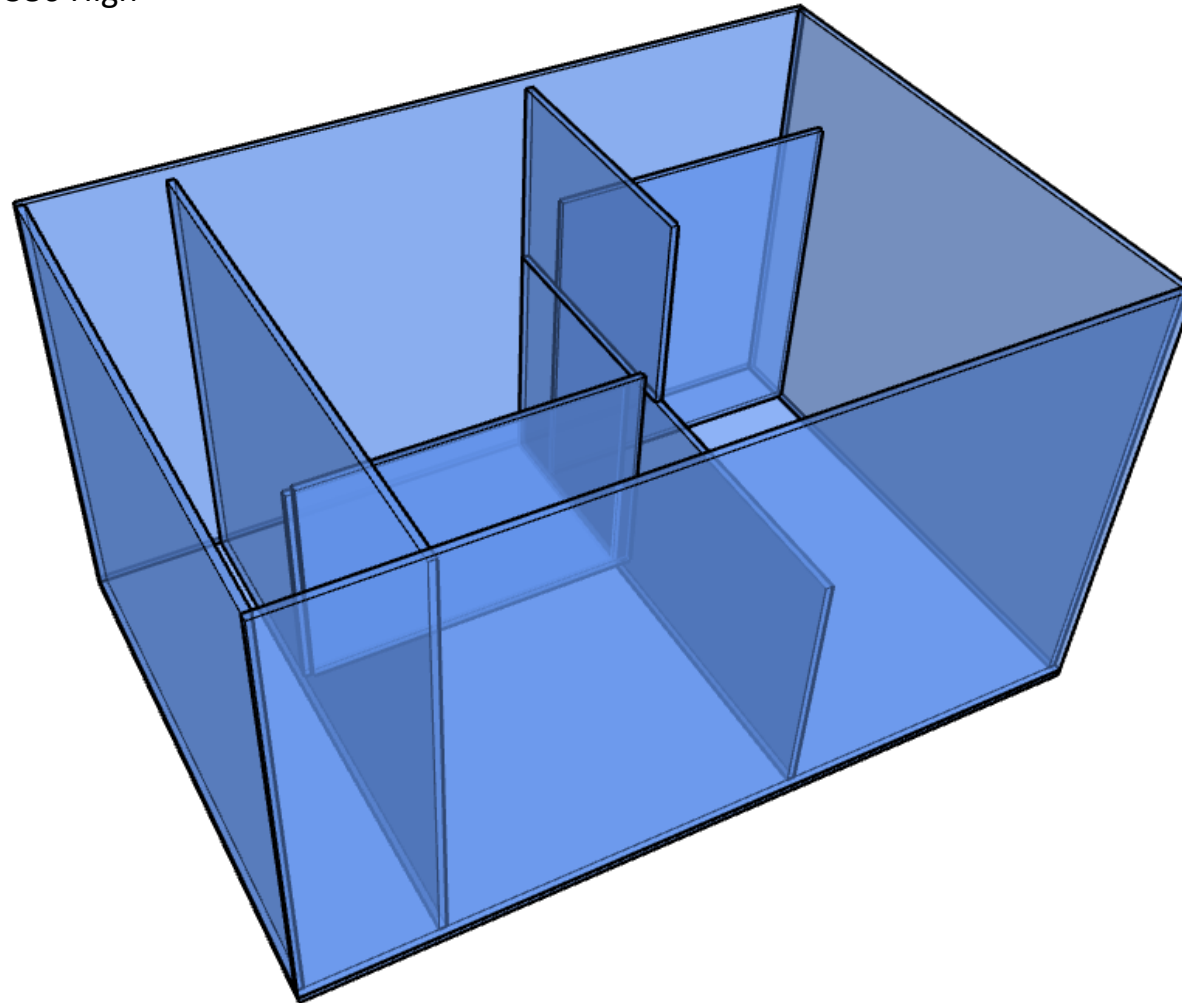


-  370 high on base
-  200 high on base
-  200 high 25mm up off base
-  210 high at front 370 high at back on base
-  290 high on Base
-  290 high 25mm Up off base

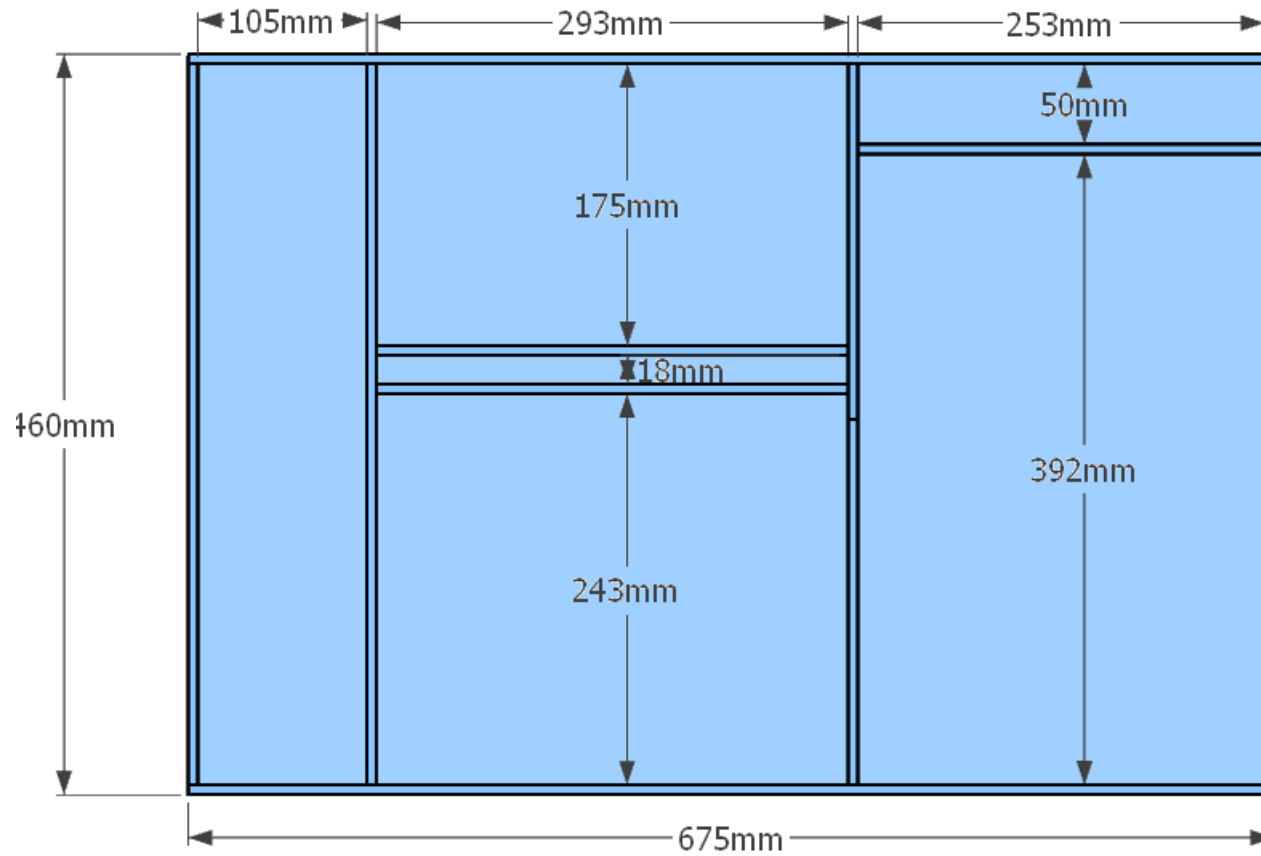


REEF-PRO 900 & 1200 ClariSea Sump

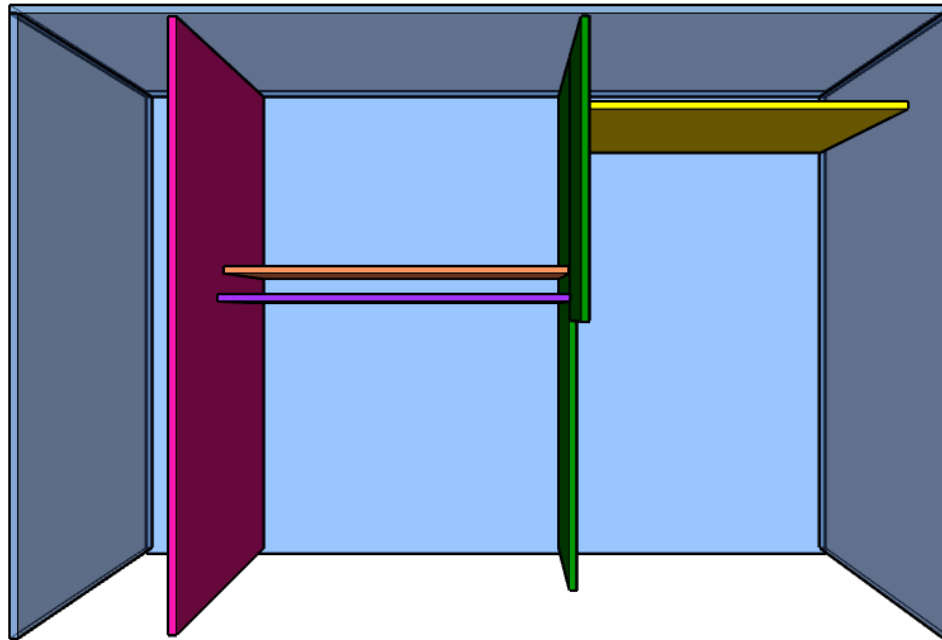
675 Long x 460 Wide x 386 High



TOP VIEW



PANEL HEIGHTS



370 high on base



200 high on base



200 high 25mm up off base



210 high at front 370 high at back on base

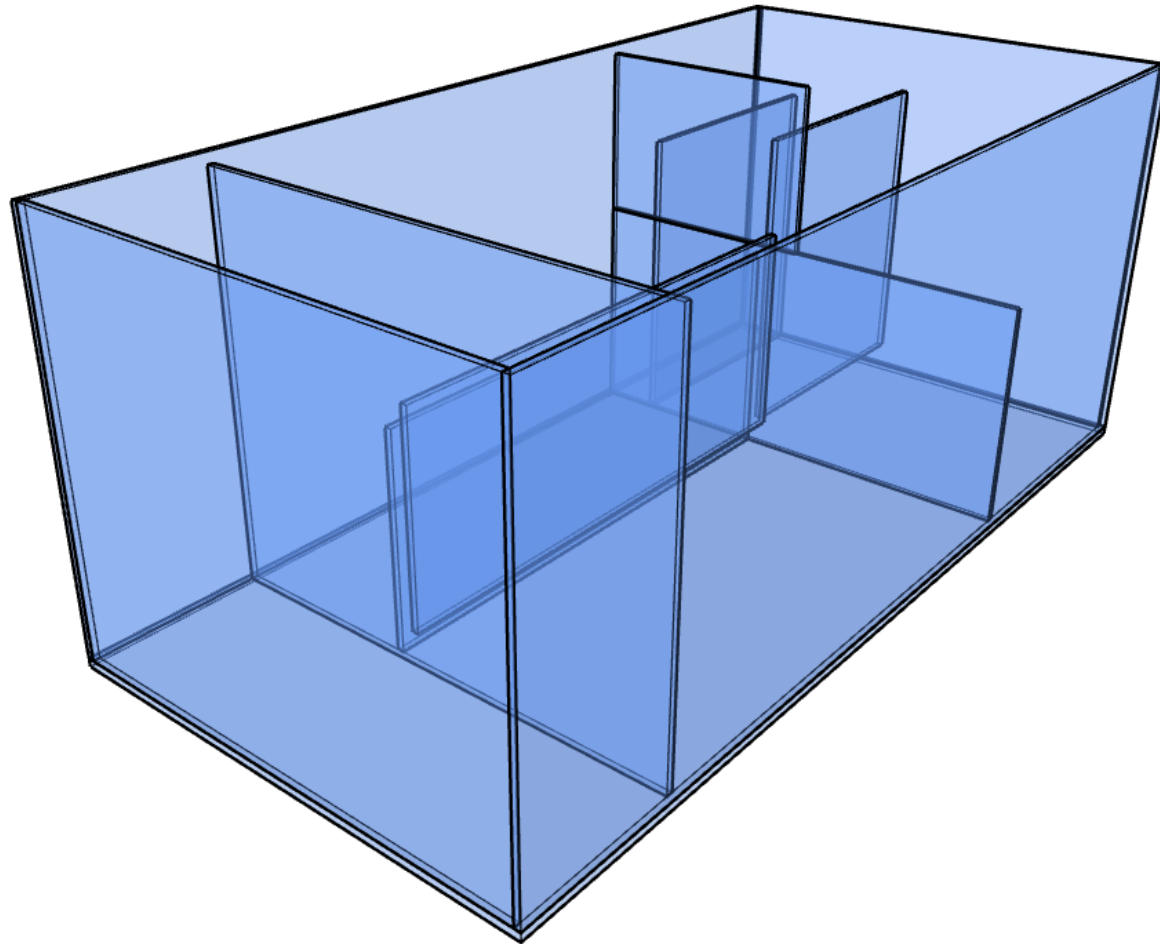


290 high 5mm off base

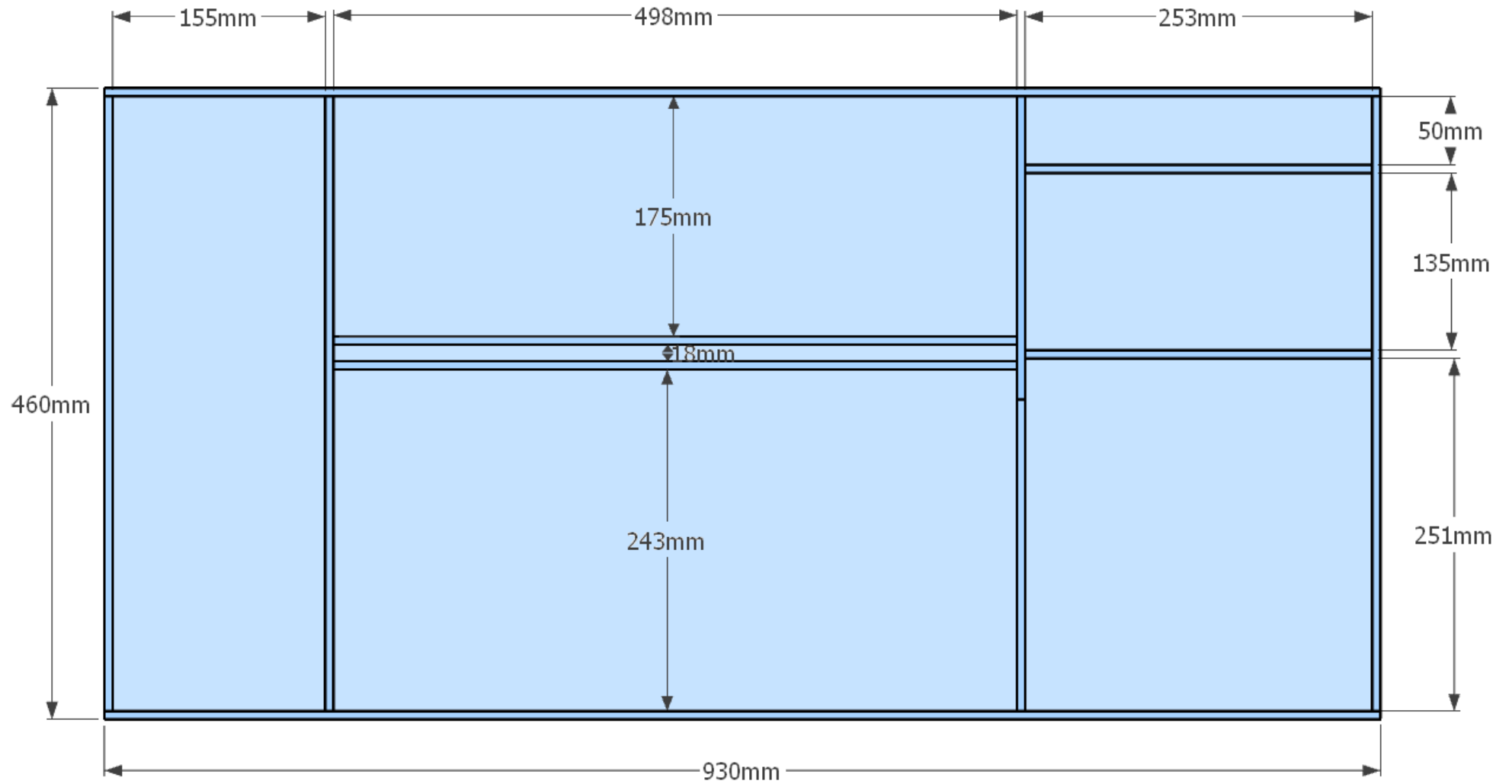


REEF-PRO 1500S Standard Sump

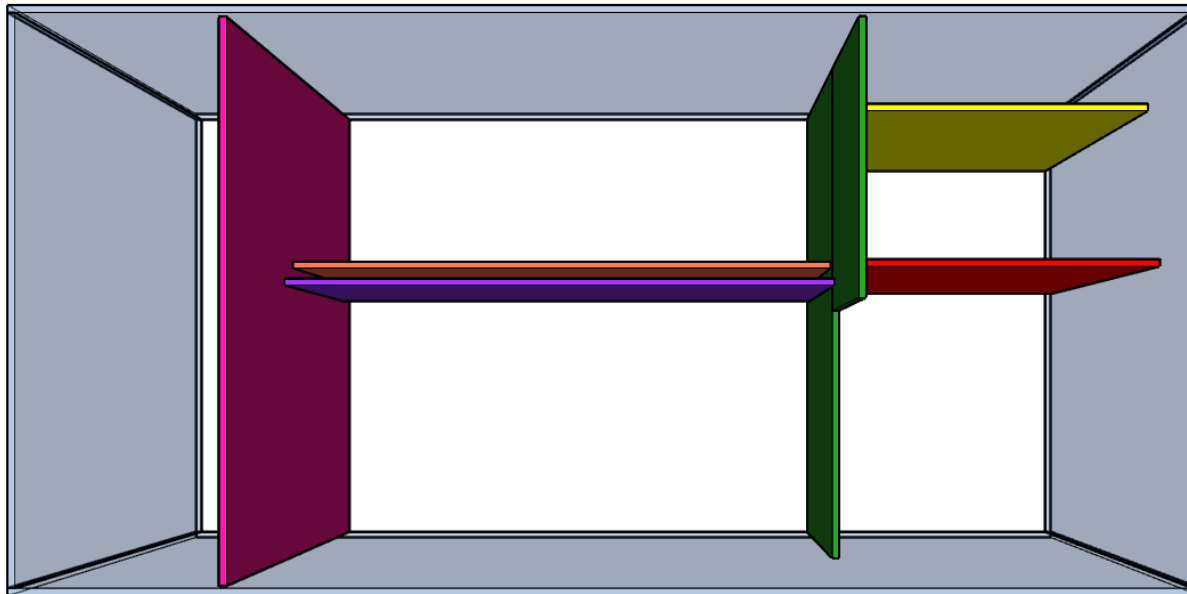
930 Long x 460 Wide x 386 High









TOP VIEW



PANEL HEIGHTS

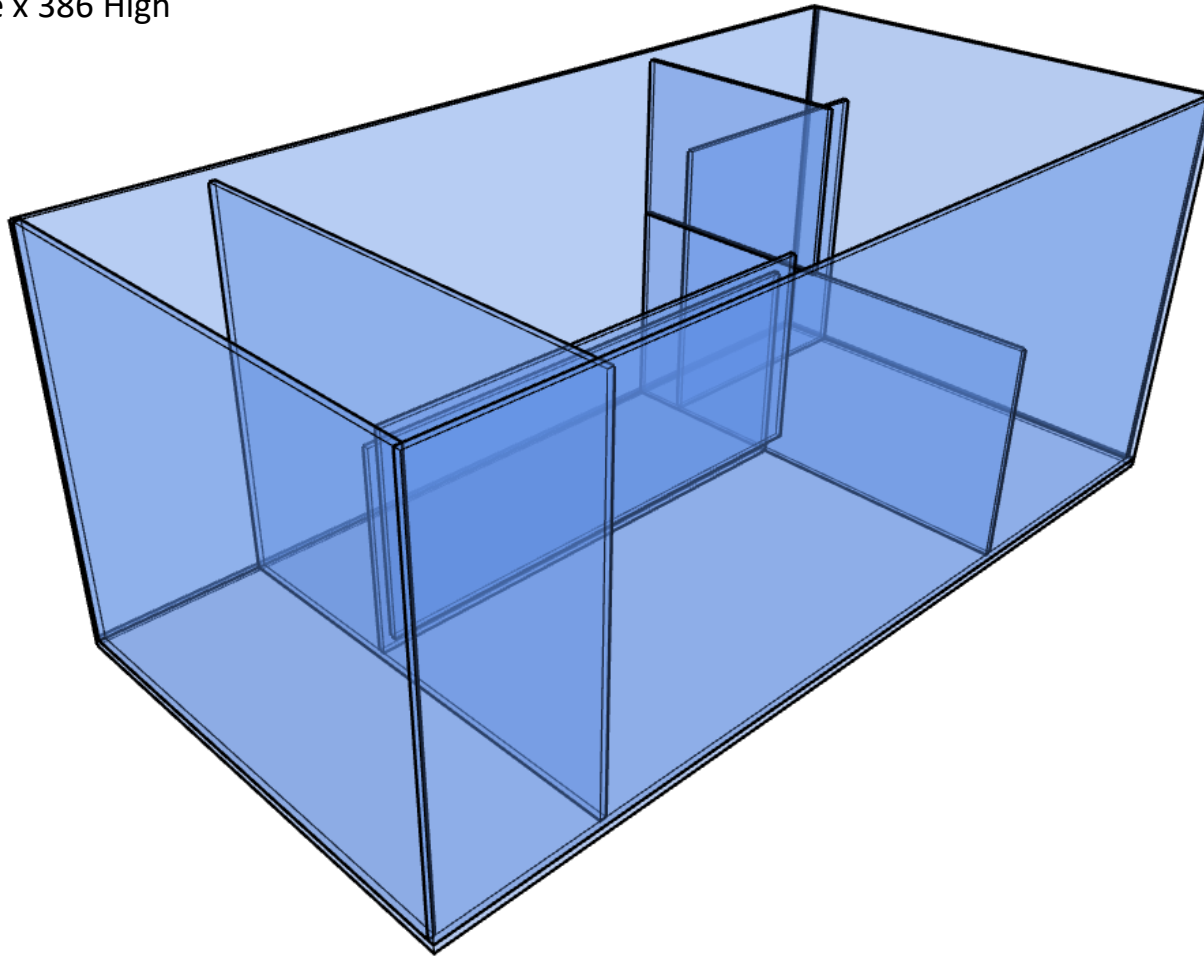


-  370 high on base
-  200 high on base
-  200 high 25mm up off base
-  210 high at front 370 high at back on base
-  290 high on Base
-  290 high 25mm Up off base



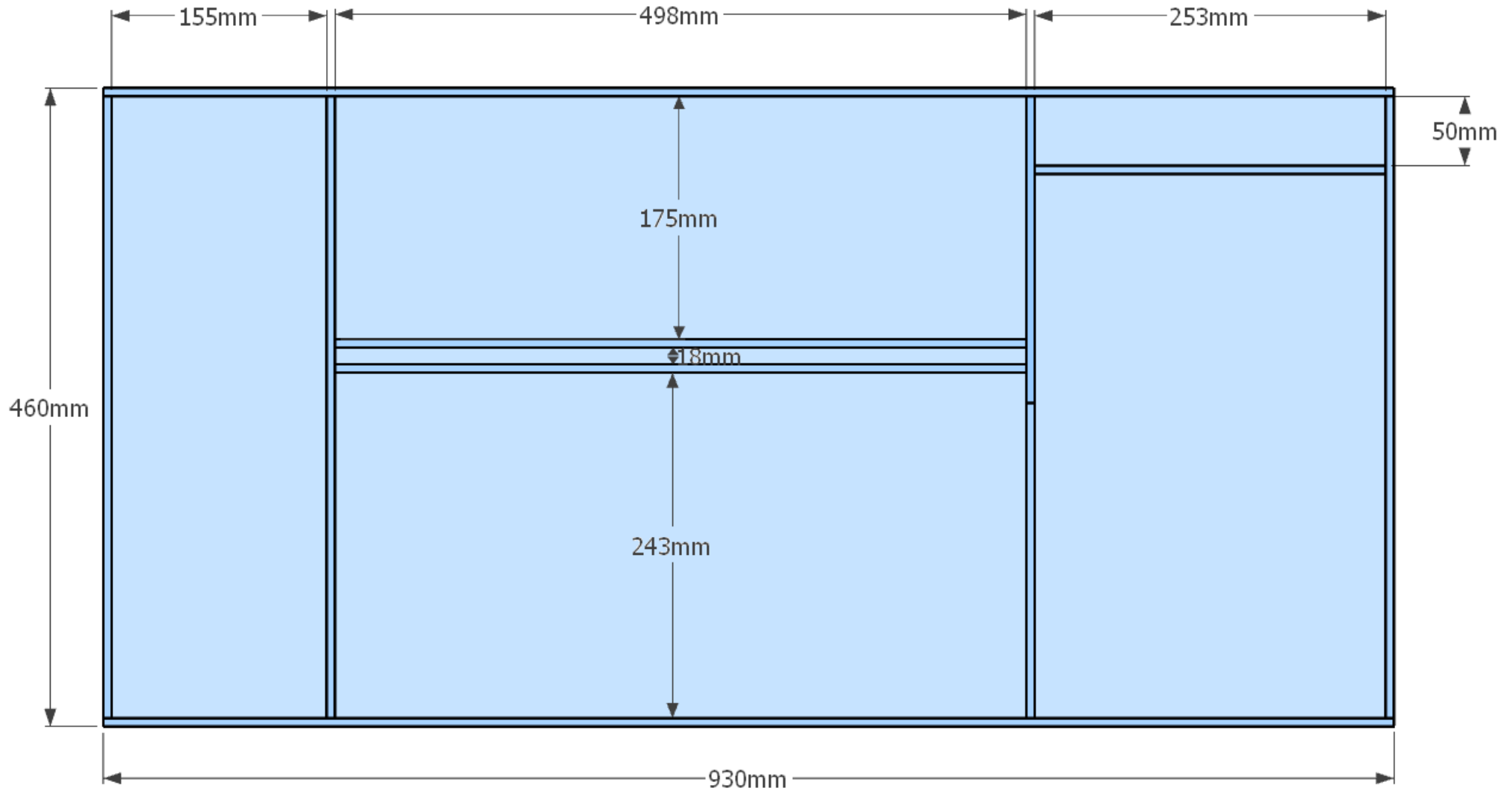
REEF-PRO 1500S ClariSea Sump

930 Long x 460 Wide x 386 High

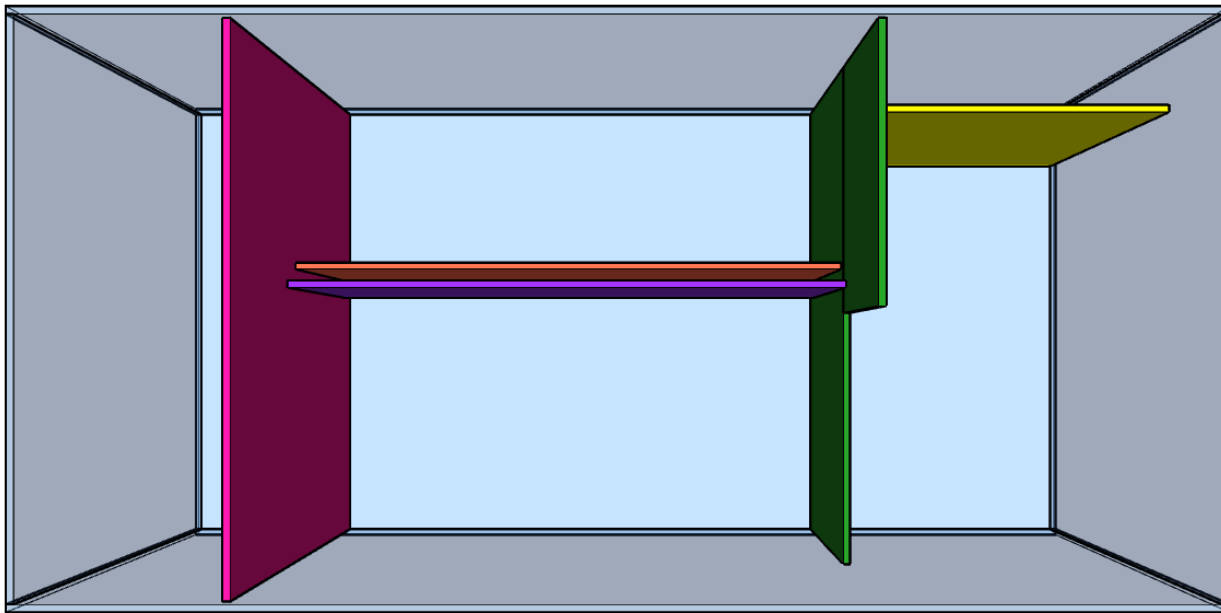




TOP VIEW



PANEL HEIGHTS



370 high on base



200 high on base



200 high 25mm up off base



210 high at front 370 high at back on base



290 high 5mm off base